

PLEASE CHECK WWW.MOLEX.COM FOR LATEST PART INFORMATION

Part Number: [0955406880](#)
Status: **Active**
Overview: [modular_plugs_jacks](#)
Description: Modular Jack, Right Angle, Shielded, Low Profile, 8/8

Documents:

[3D Model](#) [Product Specification PS-95540-002 \(PDF\)](#)
[Drawing \(PDF\)](#) [RoHS Certificate of Compliance \(PDF\)](#)
[Application Specification \(PDF\)](#)

Agency Certification

UL E107635

General

Product Family Modular Jacks/Plugs
 Series [95540](#)
 Component Type PCB Jack
 Magnetic No
 Overview [modular_plugs_jacks](#)
 Performance Category 3
 Power over Ethernet (PoE) N/A
 Product Name RJ45

Physical

Boot Color N/A
 Color - Resin Black
 Durability (mating cycles max) 500
 Flammability 94V-0
 Inverted / Top Latch No
 Lightpipes/LEDs None
 Material - Metal Brass
 Material - Plating Mating Gold
 Material - Plating Termination Tin
 Material - Resin High Temperature Thermoplastic
 Orientation Right Angle (Side Entry)
 PCB Locator Yes
 PCB Retention Yes
 PCB Thickness Recommended (in) 0.062 In
 PCB Thickness Recommended (mm) 1.57 mm
 Packaging Type Embossed Tape on Reel
 Pitch - Mating Interface (in) 0.040 In
 Pitch - Mating Interface (mm) 1.02 mm
 Pitch - Term. Interface (in) 0.050 In
 Pitch - Term. Interface (mm) 1.27 mm
 Plating min: Mating (µin) 50.8
 Plating min: Mating (µm) 1.27
 Plating min: Termination (µin) 76
 Plating min: Termination (µm) 1.9
 Ports 1
 Positions / Loaded Contacts 8/8
 Surface Mount Compatible (SMC) Yes
 Temperature Range - Operating -40°C to +80°C
 Termination Interface: Style Surface Mount
 Waterproof / Dustproof No
 Wire/Cable Type N/A

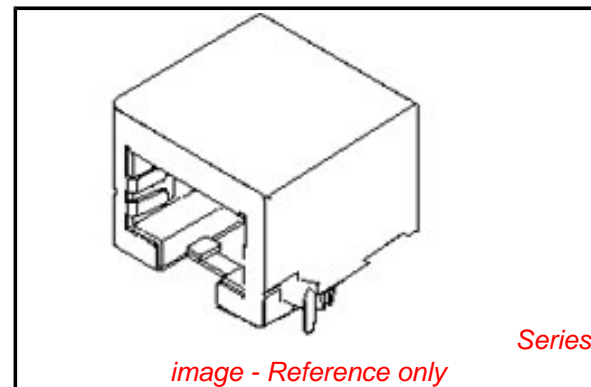


image - Reference only

EU RoHS

**ELV and RoHS
Compliant**
REACH SVHC
 Not Reviewed
**Halogen-Free
Status**
 Not Reviewed

China RoHS



**Need more information on product
environmental compliance?**

Email productcompliance@molex.com
 For a multiple part number RoHS Certificate of Compliance, [click here](#)

Please visit the [Contact Us](#) section for any non-product compliance questions.

Search Parts in this Series

[95540Series](#)

Mates With

FCC 68 Plugs [95043](#)

Electrical

Current - Maximum per Contact	1.5A
Grounding to PCB	Yes
Shielded	Yes
Voltage - Maximum	125V AC (RMS)

Solder Process Data

Duration at Max. Process Temperature (seconds)	45
Lead-free Process Capability	Reflow Capable (SMT only)
Max. Cycles at Max. Process Temperature	3
Process Temperature max. C	260

Material Info**Reference - Drawing Numbers**

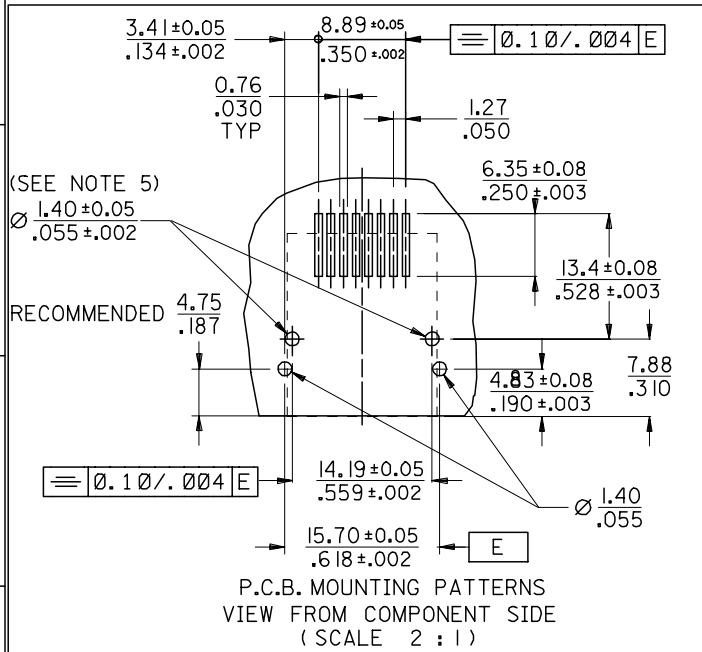
Packaging Specification	PK-85502
Product Specification	PS-95540-002
Sales Drawing	SD-95540-001

This document was generated on 06/07/2010

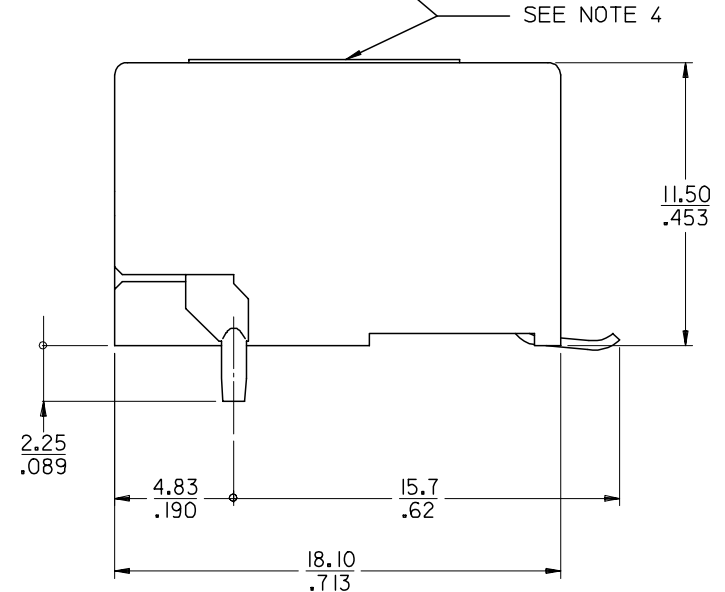
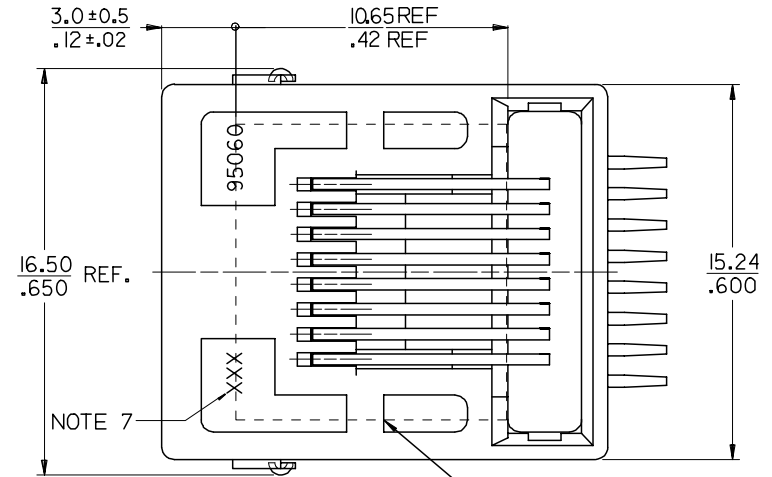
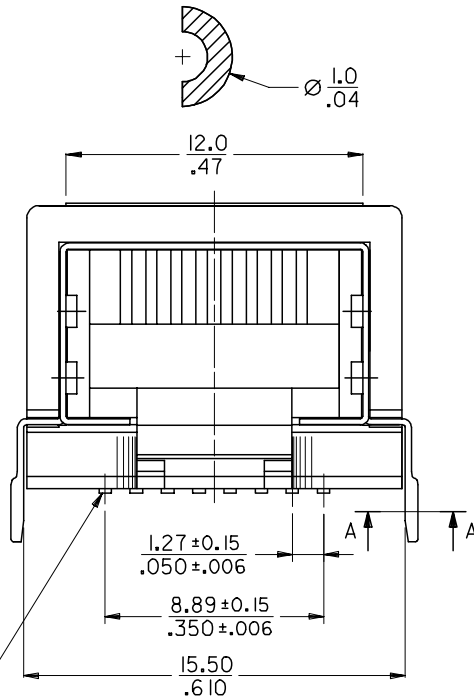
PLEASE CHECK WWW.MOLEX.COM FOR LATEST PART INFORMATION

TECHNICAL SPECIFICATIONS:

MATERIAL :
HOUSING: LCP GLASS FILLED UL 94V0, COLOR: BLACK
TERMINAL: BRASS PLATED WITH :
PLATING 2: 0.00127/.000050 MIN GOLD IN CONTACT AREA,
 0.00190/.000075 MIN TIN IN TAIL AREA,
 BOTH OVER 0.00127/.000050 MIN NICKEL OVERALL
PLATING 7: POST PLATE 0.00005/.000002 MIN GOLD OVER
 0.00076/.000030 MIN PALLADIUM NICKEL IN CONTACT
 AREA 0.00190/.000075 MIN TIN IN TAIL AREA,
 BOTH OVER 0.00127/.000050 MIN NICKEL OVERALL
SHIELD : BRASS PLATED WITH 0.0020/.000078 MIN TIN



SECTION A-A
(SCALE 20:1)



PACKAGING			
PART NUMBER	REEL SIZE	SPECIFICATION	PLATING
95540-6880	330/13	PK-85502 SHT.1	2

NOTES:

- JACK FOR MATING WITH F.C.C. 68 PLUGS 95043 MOLEX SERIES.
- COPLANARITY OF LEADS : 0.10/.004 MAX.
- PACKAGING : MOLEX PK-85502 SHEET 1 (BLISTER ON REEL).
- KAPTON ADHESIVE FOIL: 0.125/.005 THICK.
- OPTIONAL HOLES FOR COMPAT. WITH UNSHIELDED VERSION.
- PRODUCT SPECIFICATION: MOLEX PS-95540-002
- MANUFACTURING I.D. CAN BE EITHER MXF, MG OR MXI.

MODIFIED TERM MATL	2007/06/19
EC NO: E2007-1026	2007/06/20
DRWN:DBYRNES	2007/06/21
CHKD:	
APPR:EDMANNONY	

QUALITY SYMBOLS	▽=0
	∇=0

GENERAL TOLERANCES (UNLESS SPECIFIED)	
	MM/IN
4 PLACES	± --- ± ---
3 PLACES	± --- ± .004
2 PLACES	± 0.1 ± .006
1 PLACE	± 0.15 ± ---
ANGULAR ±1/2°	
DRAFT WHERE APPLICABLE MUST REMAIN WITHIN DIMENSIONS	

DIMENSION STYLE	
MM/IN	
DRAWN BY	DATE
KNOLLER	04/06/16
CHECKED BY	DATE
FCARABET	04/06/17
APPROVED BY	DATE
KNOLLER	04/06/17
MATERIAL NO.	
SEE CHART	

SCALE	5:1	DESIGN UNITS	METRIC	THIRD ANGLE PROJECTION
TITLE				
RIGHT ANGLE LOW PROFILE SMT SHIELDED P.C. JACK WITH SOLDER LEGS				
MOLEX INCORPORATED				
DOCUMENT NO.	SD-95540-001	SHEET NO.	3 OF 3	
THIS DRAWING CONTAINS INFORMATION THAT IS PROPRIETARY TO MOLEX INCORPORATED AND SHOULD NOT BE USED WITHOUT WRITTEN PERMISSION				